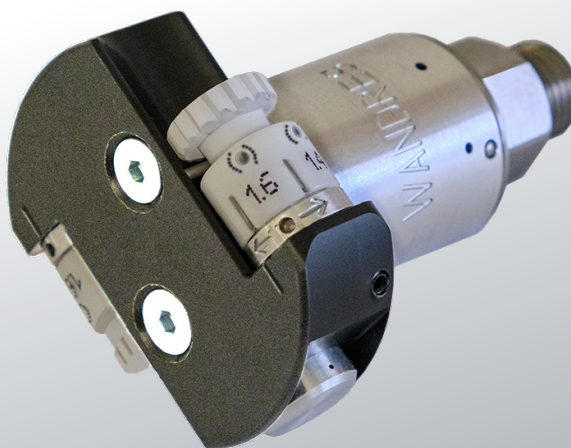


Tornado Nozzle Janus 50 D/2/2 x 1.6



Brief description

The rotating Tornado Nozzle Janus 50.. runs with compressed air and provides for a highly effective and speedy cleaning of different surfaces. Both blowing intensity and blowing direction are adjustable and provide for a versatile application. The nozzle is also available as an integral part of the high performance Tornado Channel Luna.

Functional description

Two variable speed drive nozzles provide for smooth, regular rotations even if compressed air supply varies. There are two cleaning nozzles with a pulsating jet of air that may be activated together or individually. Nozzle diameters may be adjusted without tools depending on the application. This reduces compressed air consumption considerably. Blowing direction may be adjusted flexibly to suit the respective cleaning task by changing the angle of the air jet.

Technical data

Tornado Nozzle Janus 50 D/2/2 x 1.6

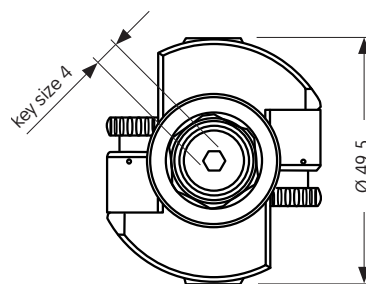
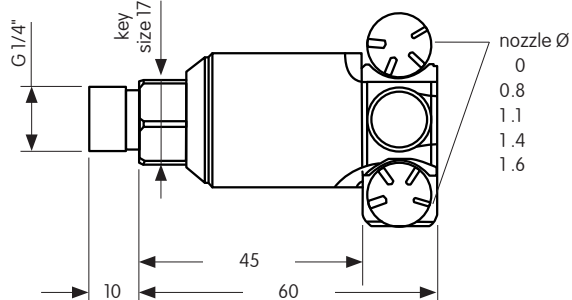
Compressed air	6 bar, filtered
Quality	Category 5 (DIN ISO 8573-1)
Consumption ¹	119 l/min - 223 l/min
Connection	G 1/4" thread
Rotating disk	Ø 49.5 mm
Blowing nozzles (2 units) ²	Setting 1: Ø 0.0 mm
	" 2: Ø 0.8 mm
	" 3: Ø 1.1 mm
	" 4: Ø 1.4 mm
	" 5: Ø 1.6 mm
Blowing direction	axially and radially
Regulated speed ³	approx. 650 - 800 rpm
Integration position	any
Acoustic emission ¹	72 dB(A) - 83 dB(A)

¹with 6 bar and 2 x 0.8 mm or 2 x 1.6 mm nozzle diameter

²nozzle diameter may be adjusted without tools

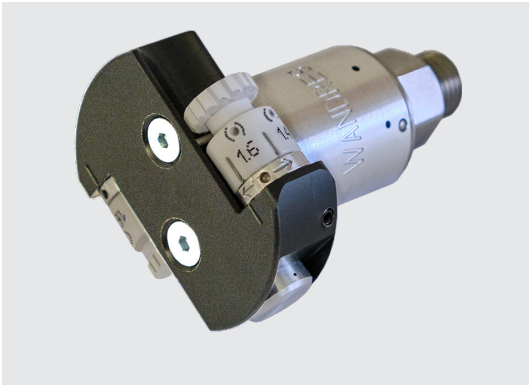
³with 2.5 bar or 6 bar

Technical data are subject to change

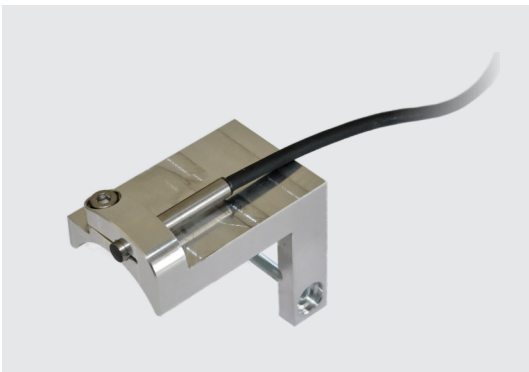


values in mm

Order no.



4179304 Tornado Nozzle Janus 50 D/2/2 x 1.6



10005418 Speed control

Clamping device with inductive sensor

Technical data:

- 2 Signals / rotation
- Operating voltage 24 V DC
- Operating current 100 mA
- Visual function display

Germany

Wandres GmbH micro-cleaning
Im Gewerbepark 8
79252 Stegen
Tel. + 49 (0)7661- 9330-0
sales@wandres.com
www.wandres.com

USA

Wandres Corporation
719 W. Ellsworth Rd., Suite 7
USA-Ann Arbor, MI 48108
Tel. +1-734-214-9903
sales@wandresusa.com

China

万喆清洁设备（上海）有限公司
Wandres Cleaning Machinery (Shanghai) Co., Ltd.
755B, Tower 3, No. 88 Keyuan Road
Pudong, Shanghai, China 201203
Tel. + 8621 68520069
china@wandres.com

WANDRES
micro-cleaning