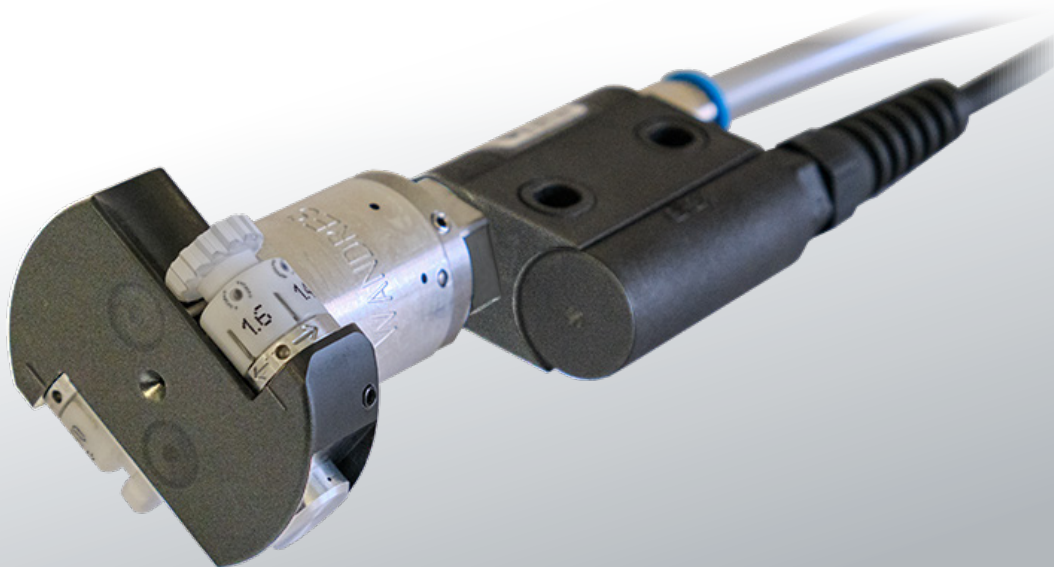




Ion Blower Nozzle Janus 50 DE/2/2 x 1.6



Brief description

The rotating Ion Blower Nozzle Janus 50.. is ideal to remove electrostatic charges and to clean components and continuous materials with compressed air. Both blowing intensity and blowing direction are adjustable and provide for a versatile application.

Functional description

Two variable speed drive nozzles provide for smooth, regular rotations even if compressed air supply varies. There are two cleaning nozzles with a pulsating jet of air that may be activated together or individually. Nozzle diameters may be adjusted without tools depending on the application. This reduces compressed air consumption considerably. Blowing direction may be adjusted flexibly to suit the respective cleaning task by changing the angle of the air jet.

The electrode at the centre of the Ion Blower Nozzle is protected against accidental contact and provides for a reliable electrical discharge.

Technical data

Ion Blower Nozzle Janus 50 DE/2/2 x 1.6

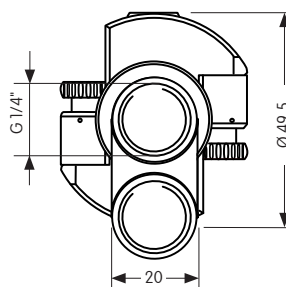
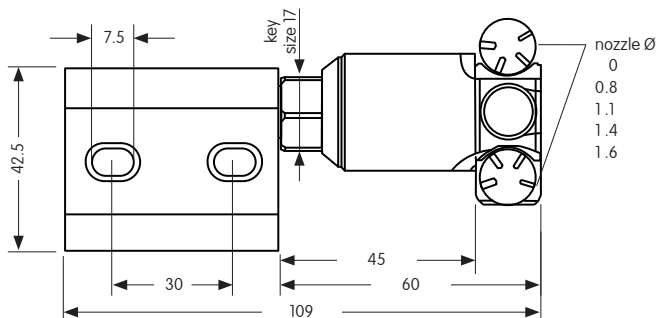
Compressed air	6 bar, filtered
Quality	Category 5 (DIN ISO 8573-1)
Consumption ¹	130 l/min - 223 l/min
Connection	G 1/4" thread
Rotating disk	Ø 49.5 mm
Blowing nozzles (2 units) ²	Setting 1: Ø 0.0 mm " 2: Ø 0.8 mm " 3: Ø 1.1 mm " 4: Ø 1.4 mm " 5: Ø 1.6 mm
Blowing direction	axially and radially
Regulated speed ³	approx. 650 - 800 rpm
Integration position	any
Supply voltage	24 V DC
Acoustic emission ¹	74 dB(A) - 83 dB(A)

¹with 6 bar and 2 x 0.8 mm or 2 x 1.6 mm nozzle diameter

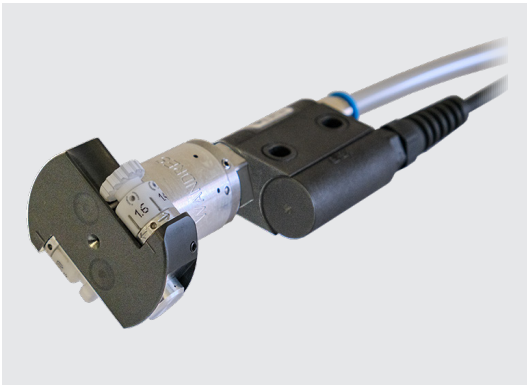
²nozzle diameter may be adjusted without tools

³with 2.5 bar or 6 bar

Technical data are subject to change



values in mm



Order no.

10005419 Ion Blower Nozzle Janus 50 DE/2/2 x 1.6

Excluding:

- High-voltage power supply unit ES24
- High-voltage cable
- G 1/4" push-in fitting

9104415 Push-in fitting

- G 1/4" to plug connection Ø 8 mm



10005510 High-voltage power supply unit ES24

supplies up to 2 Ion Blower Nozzles

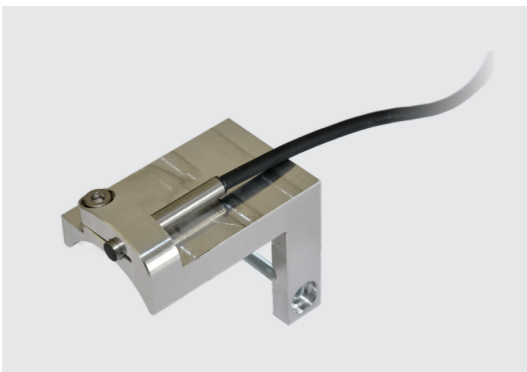
Technical data:

- Type Compact Power ES24
- Exits 2 x 5 kV AC
- Supply voltage 24 V DC
- Visual control display
- Analogous error signal
- Protection class IP54 (EN 60529)

10005539 High-voltage cable 2,5 m

10005540 High-voltage cable 5 m

between ES24 and Ion Blower Nozzle



10005418 Speed control

Clamping device with inductive sensor

Technical data:

- 2 Signals / rotation
- Operating voltage 24 V DC
- Operating current 100 mA
- Visual function display

Germany

Wandres GmbH micro-cleaning
Im Gewerbepark 8
79252 Stegen
Tel. + 49 (0)7661-9330-0
sales@wandres.com
www.wandres.com

USA

Wandres Corporation
719 W. Ellsworth Rd., Suite 7
USA-Ann Arbor, MI 48108
Tel. +1-734-214-9903
sales@wandresusa.com

China

万喆清洁设备（上海）有限公司
Wandres Cleaning Machinery (Shanghai) Co., Ltd.
755B, Tower 3, No. 88 Keyuan Road
Pudong, Shanghai, China 201203
Tel. + 8621 68520069
china@wandres.com

WANDRES
micro-cleaning